

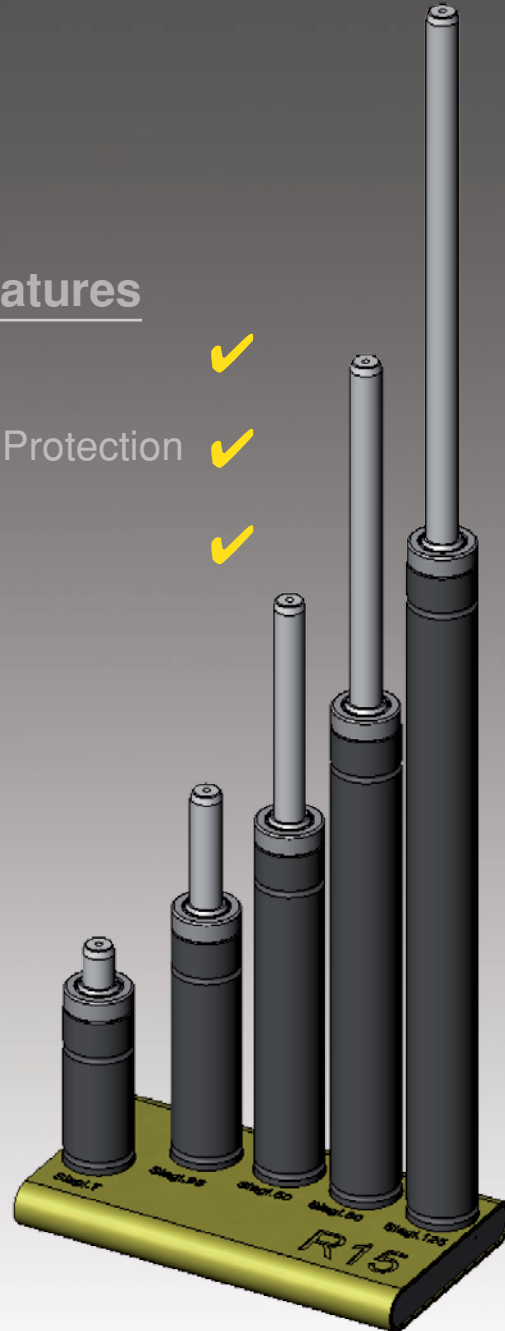
KALLER®



New!

Standard Features

- Safety Rod ✓
- Over-Pressure Protection ✓
- Hoseable ✓



Gas Spring R15

