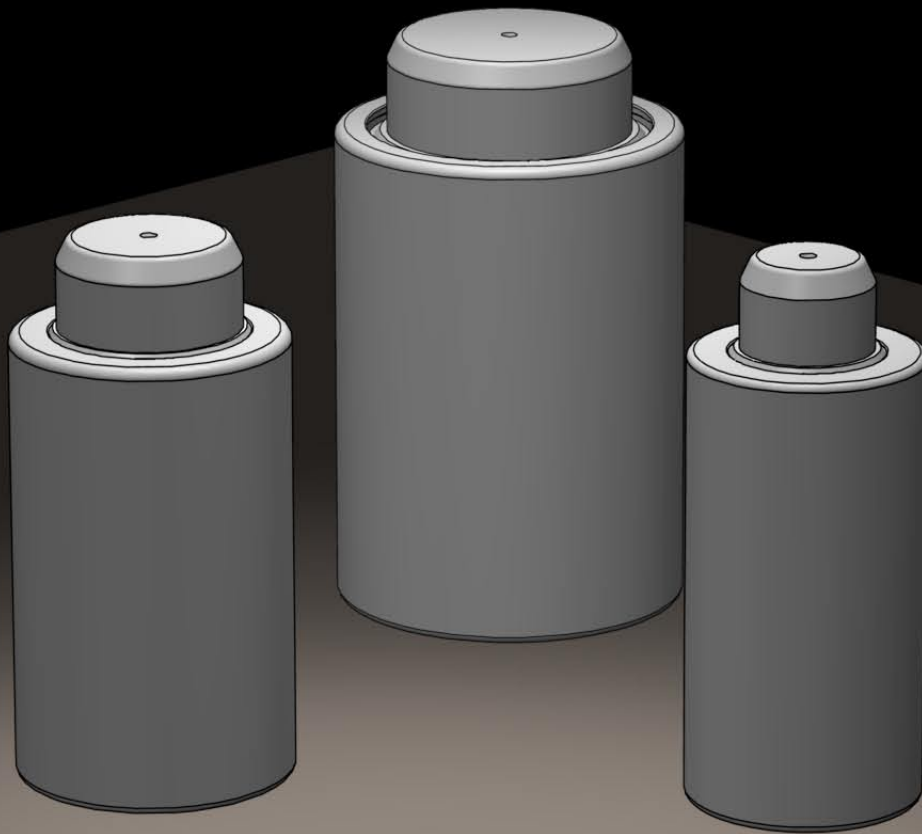


KALLER[®]



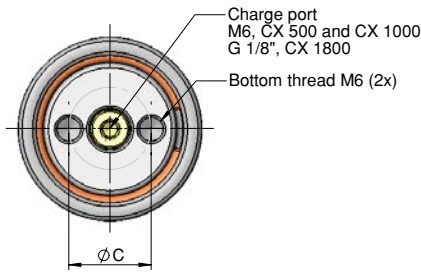
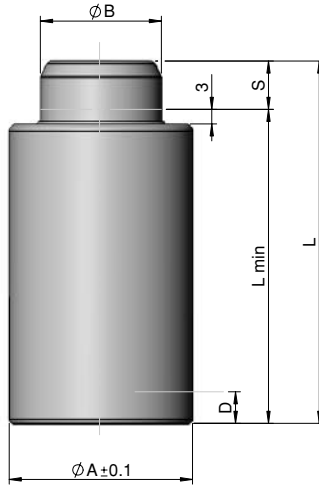
New!



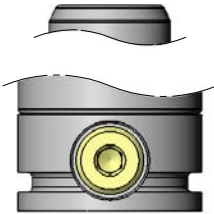
Compact Extreme - CX Series

Compact Extreme - CX Series

Our latest Compact Extreme CX Series are compact, piston rod-sealed gas springs, similar to the PowerLine X Series, that provide higher forces like the bore-sealed Super Compact CU Series.



Model	A	B	C	D
500	31.9	18	15	5.5
1000	37.9	25	17	6.5
1900	50.2	35	26	6.5



Side-port plate
For U groove and bottom thread mounts, see corresponding CU model.

Features:

- Compact build height & cylinder diameters
- Extreme initial forces
- Stroke lengths up to 80 mm
- Patented KALLER safety features
- Side-port mounts available for CX 1000 & CX 1900 models

Millimeters to Inches: $\text{mm} \div 25.4 = \text{inches}$

Kilograms to Pounds: $\text{Kg} \div 0.45 = \text{pounds}$

Pounds Force to DecaNewtons: $\text{LbF} \times 0.4448 = \text{decaNewtons}$

Order No.	S Stroke	Pounds Force (lbF) at 2900 psi		L ±0.25	L min
		Initial	End*		
CX 500-010	10	1150	1465	75	65
CX 500-015	15		1575	85	70
CX 500-025	25		1690	105	80
CX 500-038	38		1800	130	92
CX 500-050	50		1825	155	105
CX 500-063	63		1780	190	127
CX 500-080	80		1800	225	145
CX 1000-010	10	2205	2880	75	65
CX 1000-015	15		3060	85	70
CX 1000-025	25		3310	105	80
CX 1000-038	38		3400	135	97
CX 1000-050	50		3490	160	110
CX 1000-063	63		3285	205	142
CX 1000-080	80		3375	240	160
CX 1900-010	10	4320	5790	80	70
CX 1900-015	15		5805	95	80
CX 1900-025	25		6325	115	90
CX 1900-038	38		6390	150	112
CX 1900-050	50		6660	175	125
CX 1900-063	63		6685	205	142
CX 1900-080	80		6955	245	165

* = at full stroke

Basic Information

Pressure medium	Nitrogen
Max. charging pressure	200 bar/2900 psi
Min. charging pressure	25 bar/360 psi
Operating temperature	0-80°C/0-176°F
Force increase by temperature.....	±0.3%/°C
Max piston rod velocity	1.6 m/s
Repair kits.....	CX500 not repairable, CX1000, CX1900
Tube & rod surface	Nitrided

Mounting Possibilities

