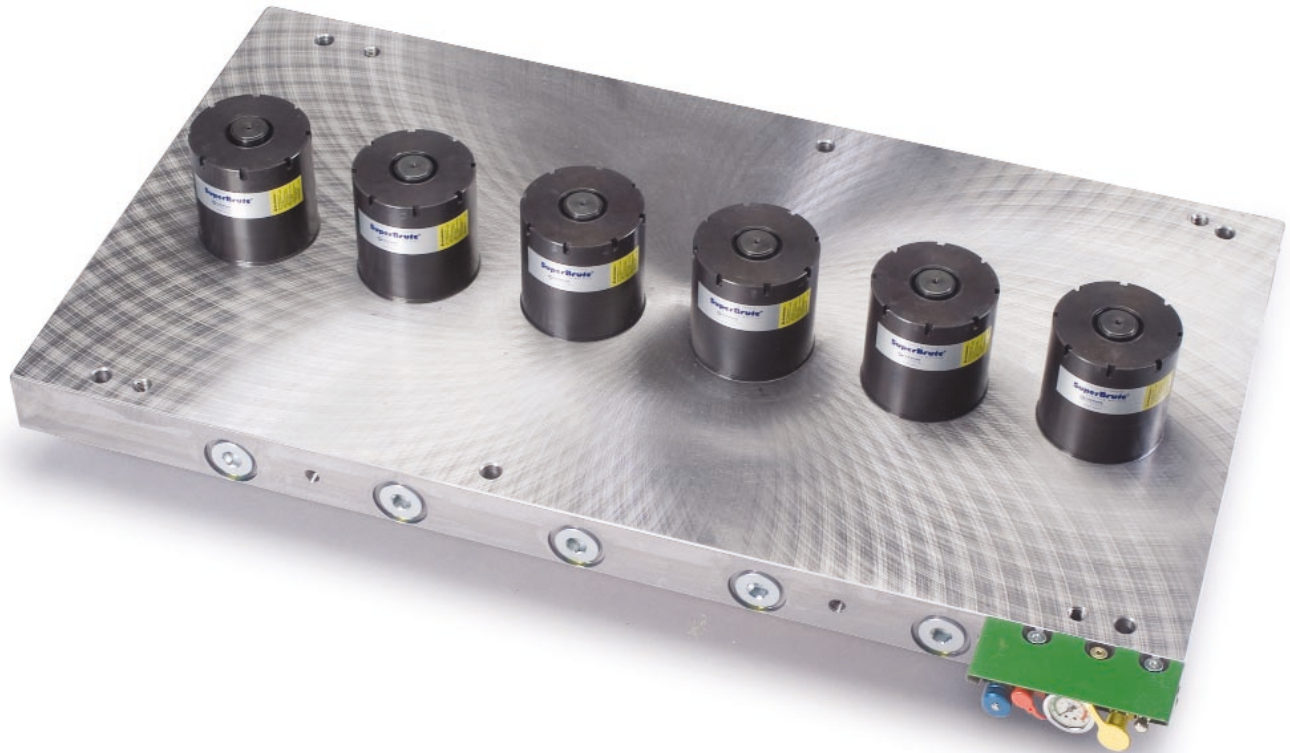


# CNS 3400

**Crossover Nitrogen System™**

# CNS 7800



*A Step Up from Baseplates in Productivity!*



*Go Forward With Us*

---

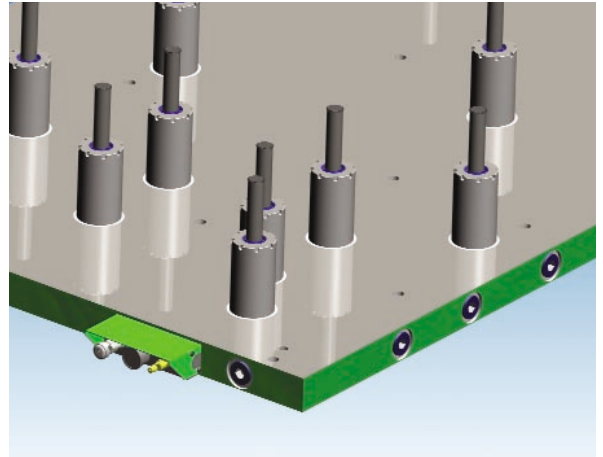
## Crossover Nitrogen System™



- **Tired of baseplate fitting failures?**
- **Tired of baseplate hose leaks?**
- **Tired of baseplate hose routing problems?**
- **Tired of baseplate deflection?**
- **Tired of baseplates in general?**

### **Forward Industries has designed the Crossover Nitrogen System™ (CNS) just for you.**

The CNS is a complete low profile, high pressure system with forces up to 17,400 lbs. per cylinder and no hoses. Shorter and with more force than the standard gas spring and baseplate system, the CNS is simple to install and easy to maintain. And the engineering staff at Forward is ready to help you design the system that fits your needs.



---

## CNS Features

- 2-1/4 inch precision ground plate is 11 times more rigid than a 1 inch baseplate for consistent pressure and more repeatable die operations.
- No fittings or hoses eliminates potential leak points and lost production time.
- No hoses eliminates routing issues in the die where space is at a premium.
- System handles up to 65% pressure rise.
- Two models available. CNS 3400 (7,500 lbs. force) and CNS 7800 (17,400 lbs. force).
- Bore seal die cylinders resist contamination and damage for increased longevity.
- Smaller diameter cylinders require less drilling for additional cost savings.
- Low profile control console can be mounted on plate or remotely.

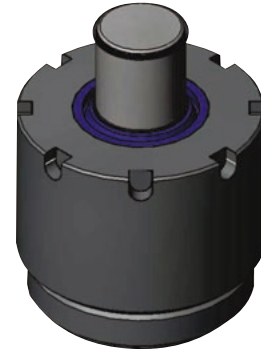


# Crossover Nitrogen System™ Die Cylinders

# CNS 3400

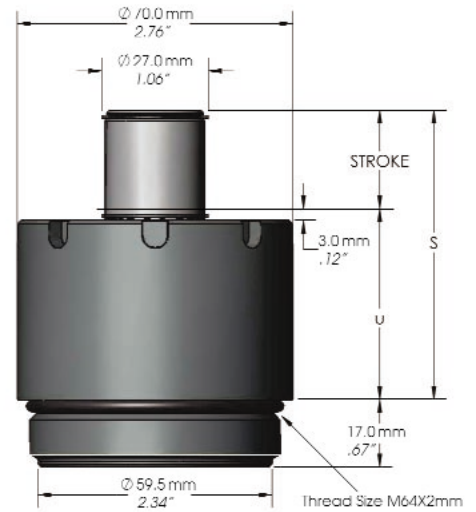
## CNS 3400 Product Specifications

Pressure Medium	Nitrogen Gas
Min. Charging Pressure	30 bar / 435 psi
Max. Charging Pressure	150 bar / 2175 psi
Max. Operating Temperature	80°C / 176°F
Maximum Rod Speed	.8m/sec
Repair Kit	0500-2580
Tube Wrench	0700-2580



### Dimensions

Model	Stroke		S		U	
	mm	in.	mm	in.	mm	in.
CNS 3400-25	25	.98	73.5	2.89	48.5	1.91
CNS 3400-38	38	1.50	99.5	3.92	61.5	2.42
CNS 3400-50	50	1.97	123.5	4.86	73.5	2.89
CNS 3400-63	63	2.48	149.5	5.89	86.5	3.41
CNS 3400-75	75	2.95	173.5	6.83	98.5	3.88
CNS 3400-80	80	3.15	183.5	7.22	103.5	4.07
CNS 3400-100	100	3.94	223.5	8.80	123.5	4.86
CNS 3400-125	125	4.92	273.5	10.77	148.5	5.85
CNS 3400-150	150	5.91	323.5	12.74	173.5	6.83
CNS 3400-175	175	6.89	373.5	14.70	198.5	7.81
CNS 3400-200	200	7.87	423.5	16.67	223.5	8.80



All dimensions are nominal unless tolerance is stated.

### Force (lbf at 150 bar, maximum pressure rise)

Stroke(mm)	0	25	38	50	63	75	80	100	125	150	175	200
25	7511	12393										
38	7511	10138	12393									
50	7511	9361	10735	12393								
63	7511	8896	9839	10905	12393							
75	7511	8646	9383	10185	11223	12393						
80	7511	8567	9243	9969	10895	11918	12393					
100	7511	8328	8827	9344	9977	10643	10947	12393				
125	7511	8151	8529	8910	9363	9824	10030	10947	12393			
150	7511	8037	8340	8641	8993	9344	9499	10172	11160	12393		
175	7511	7958	8212	8462	8750	9033	9157	9688	10444	11329	12393	
200	7511	7901	8120	8333	8577	8815	8918	9357	9969	10667	11470	12393

Note: To calculate Newtons, multiply Lbs. force by 4.448.

# Crossover Nitrogen System™ Die Cylinders

# CNS 7800

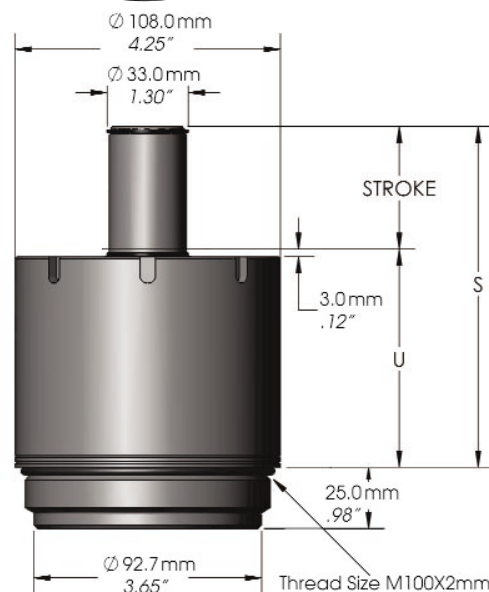
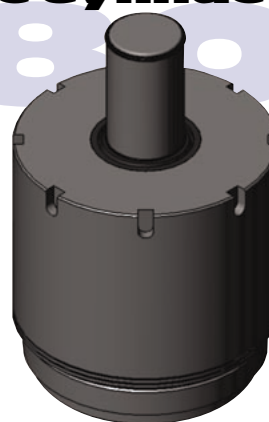
## CNS 7800 Product Specifications

Pressure Medium	Nitrogen Gas
Min. Charging Pressure	30 bar / 435 psi
Max. Charging Pressure	150 bar / 2175 psi
Max. Operating Temperature	80°C / 176°F
Maximum Rod Speed	1.6m/sec
Repair Kit	0500-6280
Tube Wrench	0700-6280

### Dimensions

Model	Stroke		S		U	
	mm	in.	mm	in.	mm	in.
CNS 7800-25	25	.98	88.5	3.48	63.5	2.50
CNS 7800-38	38	1.50	114.5	4.51	76.5	3.01
CNS 7800-50	50	1.97	138.5	5.45	88.5	3.48
CNS 7800-63	63	2.48	164.5	6.48	101.5	4.00
CNS 7800-75	75	2.95	188.5	7.42	113.5	4.47
CNS 7800-80	80	3.15	198.5	7.81	118.5	4.67
CNS 7800-100	100	3.94	238.5	9.39	138.5	5.45
CNS 7800-125	125	4.92	288.5	11.36	163.5	6.44
CNS 7800-150	150	5.91	338.5	13.33	188.5	7.42
CNS 7800-175	175	6.89	388.5	15.30	213.5	8.41
CNS 7800-200	200	7.87	438.5	17.26	238.5	9.39

All dimensions are nominal unless tolerance is stated.



### Force (lbf at 150 bar, maximum pressure rise)

Stroke (mm)	0	25	38	50	63	75	80	100	125	150	175	200
25	17381	28679										
38	17381	23468	28679									
50	17381	21623	24767	28679								
63	17381	20600	22795	25281	28679							
75	17381	20020	21735	23603	26025	28679						
80	17381	19821	21382	23059	25199	27561	28679					
100	17381	19286	20452	21660	23141	24701	25414	28679				
125	17381	18866	19744	20630	21684	22757	23236	25373	28679			
150	17381	18600	19304	20003	20819	21634	21993	23556	25852	28679		
175	17381	18413	18999	19575	20239	20894	21179	22403	24148	26187	28679	
200	17381	18278	18782	19272	19833	20381	20618	21625	23032	24633	26475	28679

Note: To calculate Newtons, multiply Lbs. force by 4.448.



Go Forward With Us

15150 Cleat Street  
Plymouth, MI 48170 USA  
1-800-860-5301 • Tel. 734-354-2780 • Fax. 734-354-2787

www.forwardind.com

The Crossover Nitrogen System offers the highest tonnage per dollar available—cross over to Forward. Call today toll free at 1-800-860-5301 (USA) or 1-800-713-1575 (Canada).



3100 Mainway  
Burlington, ONT Canada L7M 1A3  
1-800-713-1575 • Tel. 905-331-1311 • Fax. 905-331-1342

A U.S.A. Company

CNS-2.5M-03/07